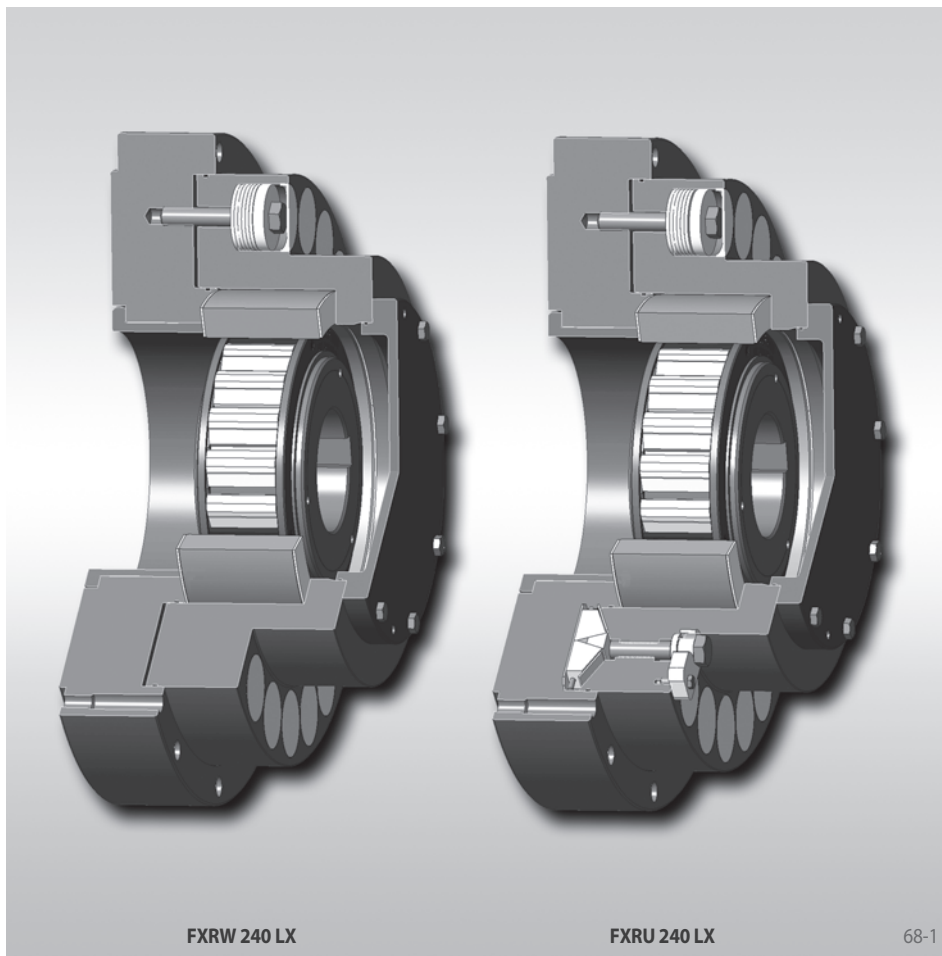


Integrated Freewheels FXR ...

for bolting to the face
with sprag lift-off X and torque limiting



Application as

▶ Backstop

for continuous conveyor installations with multiple drives in which each drive is equipped with a backstop.

Features

Integrated Freewheels FXR ... are sprag free-wheels without bearing support and with sprag lift-off X. They consist of the Integrated Freewheels FXM (refer to pages 60 to 65) with additional torque limiter.

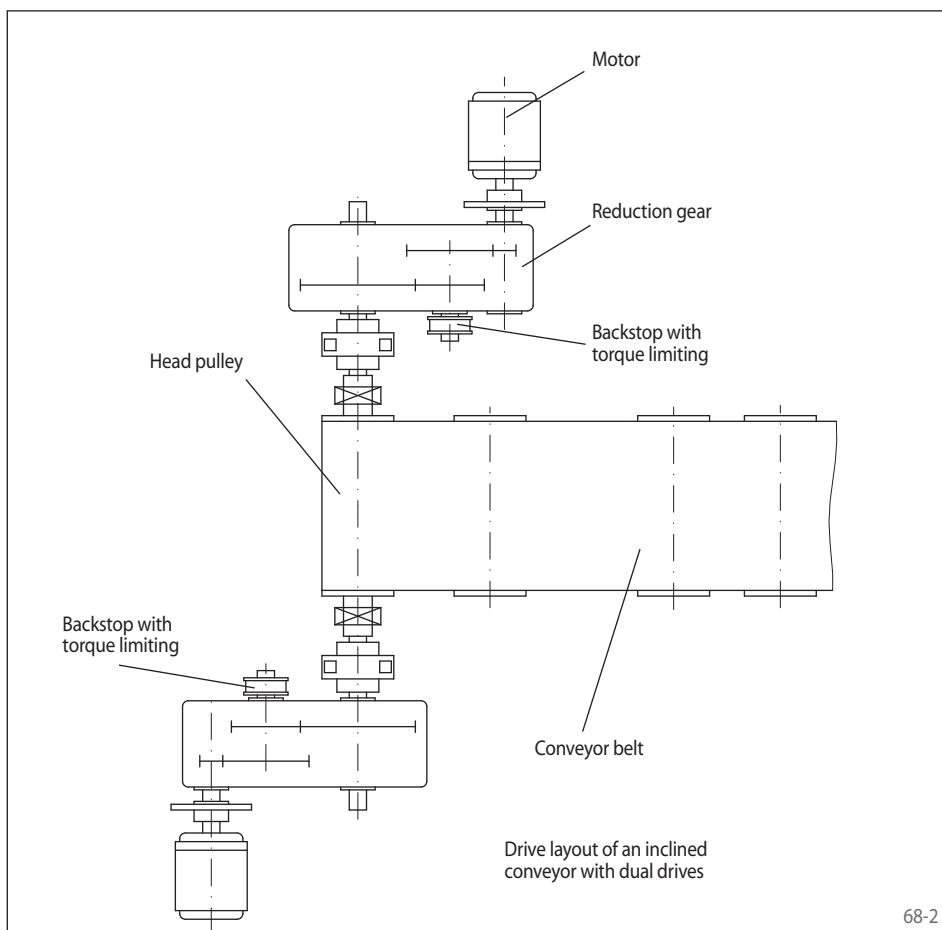
The sprag lift-off X ensures a wear-free free-wheeling operation when the inner ring rotates at high speed.

In continuous conveyor installations with multiple drives it is important to consider the problem of the unequal distribution of backdriving torque to the individual drives and backstops. As soon as the installation comes to a standstill, the entire backdriving torque is applied primarily to a single backstop, due to differences in the play and elasticity of the drives involved. In installations equipped with backstops without torque limiters, the individual gearboxes and the corresponding backstops must be designed to accommodate the entire backdriving torque of the conveyor installation in order to ensure safety.

The problem of the unequal distribution of backdriving torque is solved by using backstops FXR ... with torque limiting. The torque limiter which is built into the backstop slips temporarily when the specified torque is exceeded until the other backstops engage in succession. In this way, the entire backdriving torque of the conveyor installation is distributed to the individual gearboxes and backstops. Furthermore, dynamic peak torques which occur during the locking process are reduced, thereby protecting the gearboxes against damaging peak torques. For this reason the use of backstops FXR ... with torque limiting in continuous conveyor installations with multiple drives enables the application of gearboxes with smaller dimensions.

Advantages

- Protection of gearboxes from overload by unequal load distribution in multiple drives
- Protection of gearboxes from dynamic peak torques during the locking process
- Smaller gearboxes can be used without negatively affecting the safety
- Protection of the backstops, as dynamic peak torques are reduced by temporarily slipping



for bolting to the face with sprag lift-off X and torque limiting

Integrated Freewheels FXRW and FXRV with torque limiting and without release function

This series of backstops with torque limiting is the basic version. The design and the available standard sizes are shown on page 70 and 72.

Integrated Freewheels FXRU and FXRT with torque limiting and with release function

This series is designed in the same way as series FXRW or FXRV; as an addition, a finely controllable release function is built in. The design, the description of the release function and the available standard sizes are shown on page 71 and 73.

The backstops with controllable release function are used if a controlled relaxing of the belt or the unit – perhaps in the case of a jam on the pulley drum – or a limited reverse movement of the conveyor system is required.

Selection torque

The following determination of the selection torque applies to multiple-drives installations in which each drive has the same motor power. Please contact us in case of different motor powers.

If the backdriving torque M_L per drive is known, then the selection torque M_A for the particular backstop should be determined as follows:

$$M_A = 1,2 \cdot M_L \text{ [Nm]}$$

If, however, only the nominal power per drive P_0 [kW] is known, then this applies:

$$M_A = 1,2 \cdot 9550 \cdot F^2 \cdot P_0 / n_{SP} \text{ [Nm]}$$

In these equations:

M_A = Selection torque of the particular backstop [Nm]

$$M_L = 9550 \cdot F \cdot P_L / n_{SP} \text{ [Nm]}$$

= Static backdriving torque of the load for each drive referring to the particular backstop shaft [Nm]

P_L = Lifting capacity per drive at full load [kW]

= Lifting height [m] multiplied by the load that is being conveyed per second divided by the number of drives [kN/s]

P_0 = Nominal power of motor [kW]

n_{SP} = Speed of backstop shaft [min⁻¹]

F = Selection factor

$$F = \frac{\text{Lifting capacity}}{\text{Lifting capacity} + \text{Power loss}}$$

After calculating M_A , the size of the particular backstop must be selected in accordance with the catalogue tables in such a way that in all cases this applies:

$$M_R \geq M_A$$

M_R = Maximum slipping torque of the particular backstop in accordance with the table values on pages 70 to 73 [Nm]

Approximate values for F:

| Type of installation | F | F ² |
|---------------------------------|------|----------------|
| Conveyor belts, angle up to 6° | 0,71 | 0,50 |
| Conveyor belts, angle up to 8° | 0,78 | 0,61 |
| Conveyor belts, angle up to 10° | 0,83 | 0,69 |
| Conveyor belts, angle up to 12° | 0,86 | 0,74 |
| Conveyor belts, angle up to 15° | 0,89 | 0,79 |
| Screw pumps | 0,93 | 0,87 |
| Ball mills, drying drums | 0,85 | 0,72 |
| Bucket conveyors, elevators | 0,92 | 0,85 |
| Hammer mills | 0,93 | 0,87 |

In each case, the sum of the slipping torques of the particular backstops must be 1,2 times higher than the static backdriving torque of the installation (also at overload). The torques specified in the tables are maximum values. Lower values can be set upon request. If in doubt, please contact us stating the precise description of the installation and the operating conditions. It is preferable to use the questionnaire on page 112.

Example

Dual-drive system

Motor power per drive: $P_0 = 630$ kW

Type of installation:

Conveyor belt with 8° incline $\Rightarrow F^2 = 0,61$

Speed per backstop shaft:

$$n_{SP} = 360 \text{ min}^{-1}$$

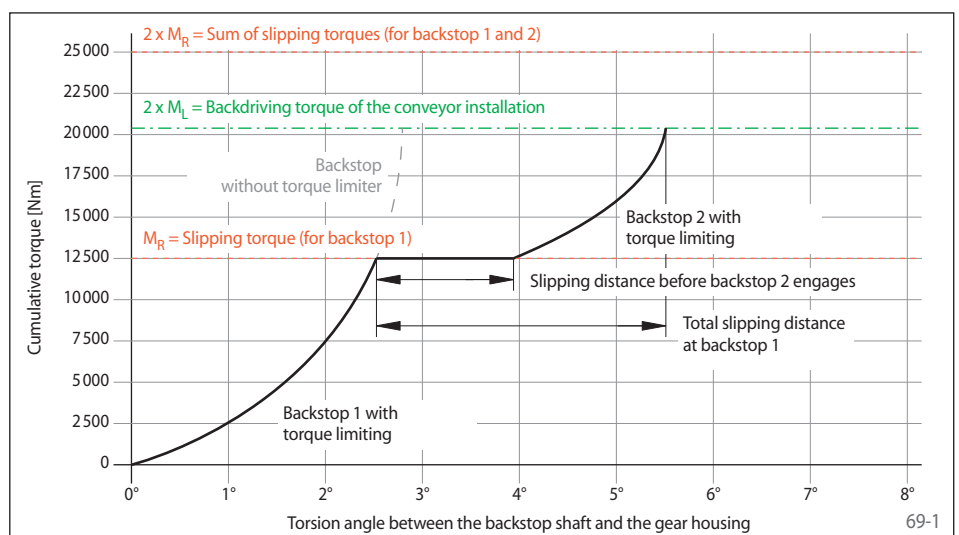
Selection torque of the particular backstop:

$$M_A = 1,2 \cdot 9550 \cdot 0,61 \cdot 630 / 360 \text{ [Nm]} \\ = 12234 \text{ Nm}$$

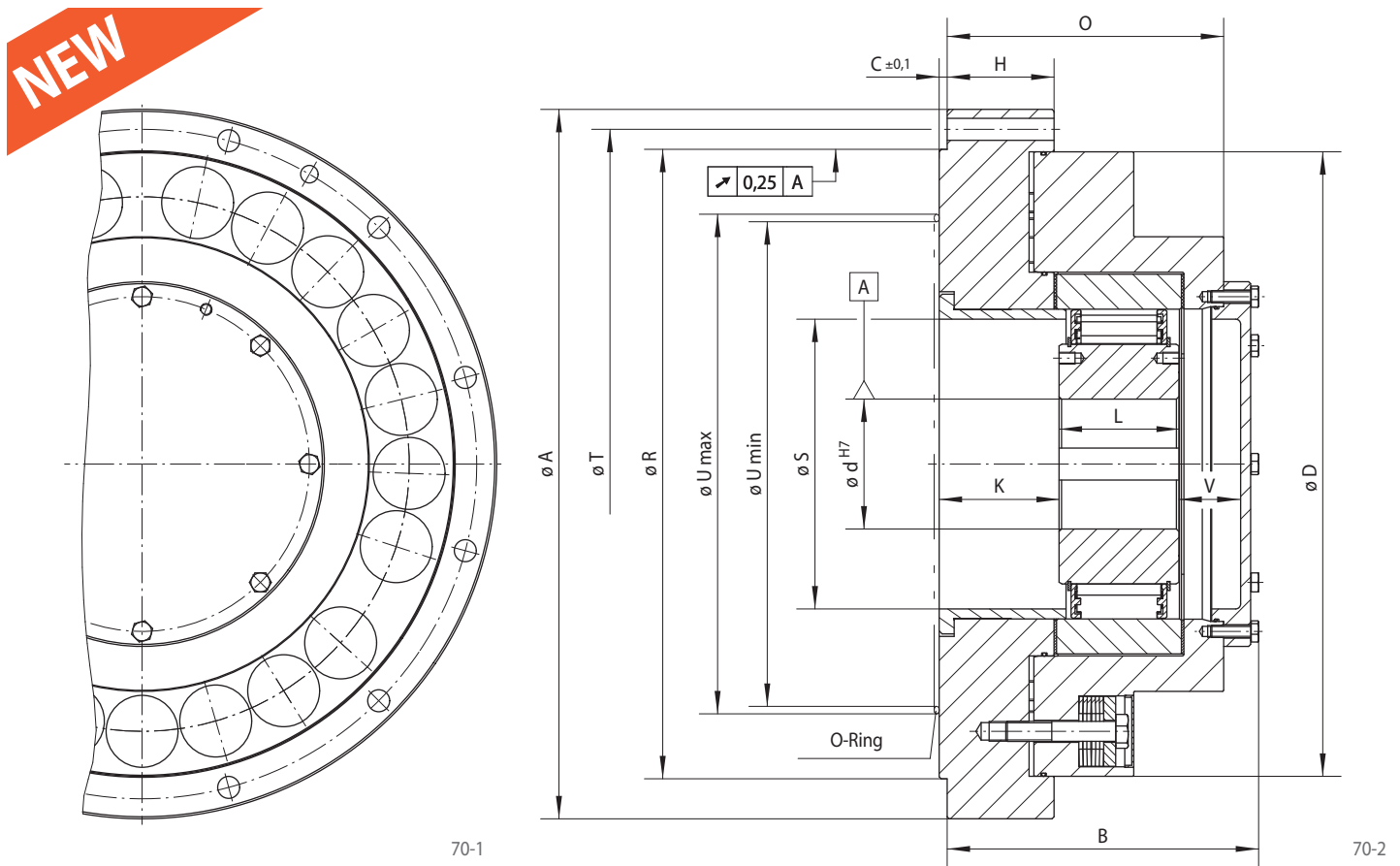
The following rule applies in all cases:

$$M_R \geq M_A$$

\Rightarrow FXRU or FXRW 140 - 63 MX are the suitable, economical backstop sizes.



for bolting to the face
with sprag lift-off X and torque limiting



| Backstop | Type with Sprag lift-off X For extended service life using sprag lift-off at high speed rotating inner ring | Dimensions | | | | | | | | | | | | | | | | | | | |
|----------|---|------------|--|--|--|--|--|--|--|--|--|--|--|--|--|--|--|--|--|--|--|
| | | | | | | | | | | | | | | | | | | | | | |

| Freewheel Size | Type | Slipping torque M_R Nm | Sprag lift-off at inner ring speed min^{-1} | Max. speed inner ring freewheels min^{-1} | Bore d | | A mm | B mm | C mm | D mm | G** mm | H mm | K mm | L mm | O mm | R mm | S mm | T mm | U*** | | V mm | Z** | Weight kg |
|----------------|------|--------------------------|--|--|-------------|---------|------|------|------|------|--------|------|------|------|------|------|------|------|---------|---------|------|-----|-----------|
| | | | | | Standard mm | max. mm | | | | | | | | | | | | | min. mm | max. mm | | | |
| FXRW 85 - 50 | MX | 3 300 | 430 | 6000 | | 65 | 330 | 176 | 6 | 285 | M12 | 54 | 67,5 | 60 | 151 | 280 | 110 | 308 | 165 | 215 | 38 | 6 | 60 |
| FXRW 100 - 50 | MX | 4 700 | 400 | 4500 | | 80* | 350 | 181 | 6 | 305 | M12 | 59 | 67,5 | 70 | 156 | 300 | 125 | 328 | 180 | 240 | 33 | 6 | 73 |
| FXRW 120 - 50 | MX | 7 300 | 320 | 4000 | | 95 | 400 | 192 | 6 | 345 | M16 | 69 | 77,5 | 70 | 167 | 340 | 145 | 373 | 200 | 260 | 34 | 6 | 101 |
| FXRW 140 - 63 | MX | 12 500 | 320 | 3000 | | 110 | 430 | 227 | 6 | 375 | M16 | 79 | 89,5 | 80 | 192 | 375 | 165 | 403 | 220 | 280 | 48 | 6 | 133 |
| FXRW 170 - 63 | MX | 19 000 | 250 | 2 700 | 110 | 130 | 500 | 232 | 6 | 445 | M16 | 89 | 100 | 80 | 205 | 425 | 196 | 473 | 250 | 425 | 36 | 6 | 197 |
| FXRW 200 - 63 | MX | 30 000 | 240 | 2 100 | 150 | 155 | 555 | 250 | 6 | 500 | M16 | 99 | 110 | 80 | 223 | 495 | 226 | 528 | 275 | 495 | 43 | 6 | 274 |
| FXRW 240 - 96 | LX | 56 000 | 220 | 2 500 | | 185 | 710 | 312 | 8 | 625 | M20 | 107 | 120 | 120 | 277 | 630 | 290 | 670 | 355 | 630 | 61 | 12 | 525 |
| FXRW 260 - 96 | LX | 65 000 | 210 | 2 250 | | 205 | 750 | 327 | 8 | 660 | M20 | 117 | 130 | 120 | 302 | 670 | 310 | 710 | 375 | 670 | 66 | 12 | 619 |
| FXRW 290 - 96 | LX | 90 000 | 200 | 2 250 | | 230 | 850 | 340 | 8 | 735 | M24 | 127 | 140 | 120 | 302 | 730 | 330 | 800 | 405 | 730 | 65 | 12 | 852 |
| FXRW 310 - 96 | LX | 107 000 | 195 | 2 100 | | 240 | 900 | 352 | 10 | 785 | M24 | 127 | 150 | 120 | 322 | 775 | 355 | 850 | 435 | 775 | 72 | 12 | 1016 |

Keyway according to DIN 6885, page 1 • Tolerance of keyway width JS10. * Keyway according to DIN 6885, page 3 • Tolerance of keyway width JS10.

** Z = Number of fastening holes for screws G (DIN EN ISO 4762) on pitch circle T.*** Area for O-ring sealing.

Other freewheel sizes upon request.

Torques

The Integrated Freewheels FXRW are supplied with a set slipping torque M_R of the torque limiter. The static backdriving torque M_L of the installation (also in the case of an overload) must under no circumstances achieve the sum of the slipping torques M_R of the provided Integrated Freewheels. The slipping torques M_R specified in the table are maximum values; lower values can be set.

Mounting

The Integrated Freewheels FXRW are without bearing support, therefore it must be ensured that the run out (T.I.R.) between the pilot diameter R and the shaft diameter d does not exceed the value 0,25 mm.

Dimension C applies for the Integrated Freewheel. The centering depth of the customer attachment part must be at least $C + 0,2$ mm. The tolerance of the pilot diameter R of the attachment part must be ISO H7.

The tolerance of the shaft must be ISO h6 or j6.

Example for ordering

Freewheel size FXRW 170-63 MX, type with sprag lift-off X, 130 mm bore and slipping torque 19 000 Nm:

- FXRW 170 - 63 MX, d = 130 mm, $M_R = 19\ 000$ Nm