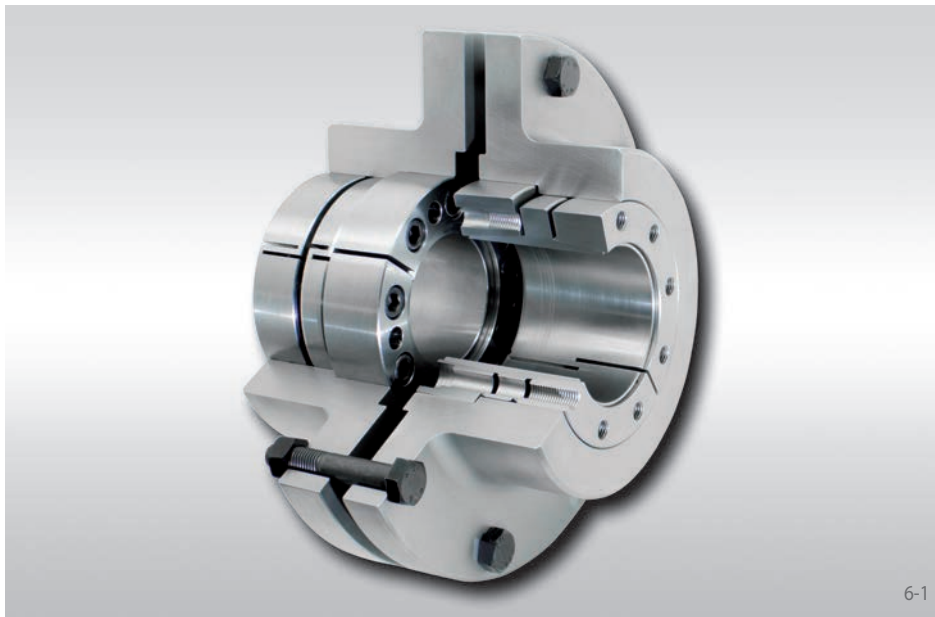
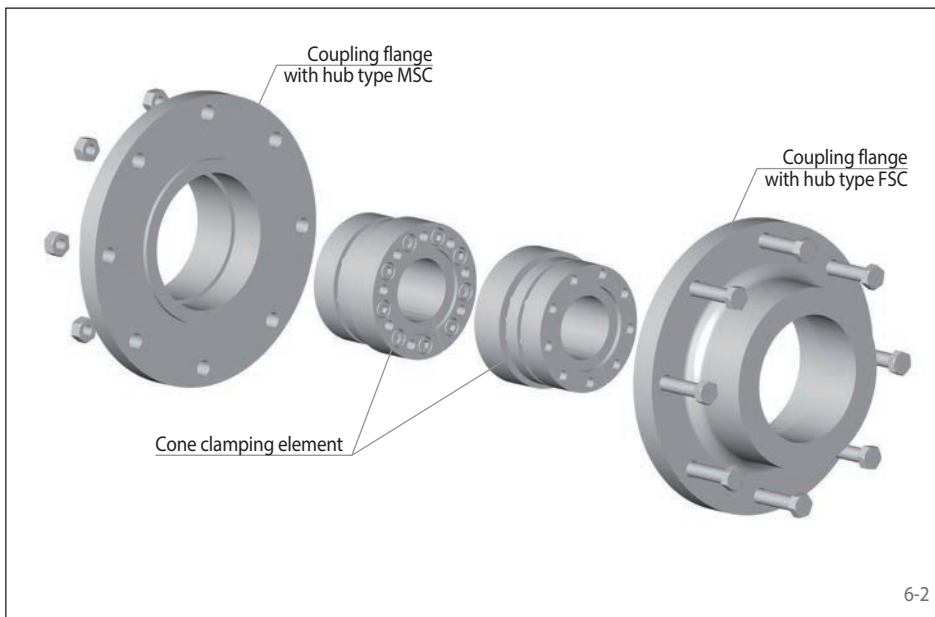


backlash free cone clamping connection



Features

- Compact design
- Small axial space required for installation
- Quick disassembly for minimal downtime
- Large allowable shaft tolerance of h8
- Shafts are not weakened by keyways
- No fretting corrosion like with keyway connections
- Typical applications: Drive units and conveyor drives e.g. in mining



Transmissible torques

The transmissible torques listed on the following page are subject to the listed tolerances, surface finishes and material requirements. Please contact RINGSPANN in case of deviations.

Tolerances

- h8 for shaft diameters d_F or d_M

Surfaces

Average surface finish at the contact surfaces of the shafts $R_z = 10 \dots 25 \mu\text{m}$.

Materials

RINGSPANN is able to recommend suitable shaft materials using DIN 743 (12/2012 edition) taking the surface pressures for the Tru-Line Flange-Couplings RFK ... TBO into account.

Simultaneous transmission of torque, axial force and bending moment

Where there are combinations of axial forces and/or bending moments in the application in addition to the torque T_N , the max. transmissible torque will be reduced as compared to the values for $T_{K \max}$ shown in the tables.

RINGSPANN will select the proper coupling for each application based upon the allowed transmissible torque under existing bending moment conditions. Our selection calculations are in accordance with the latest scientific knowledge and experience in the industry and will include the proper safety factor to prevent fretting corrosion. Please contact RINGSPANN.

Order example

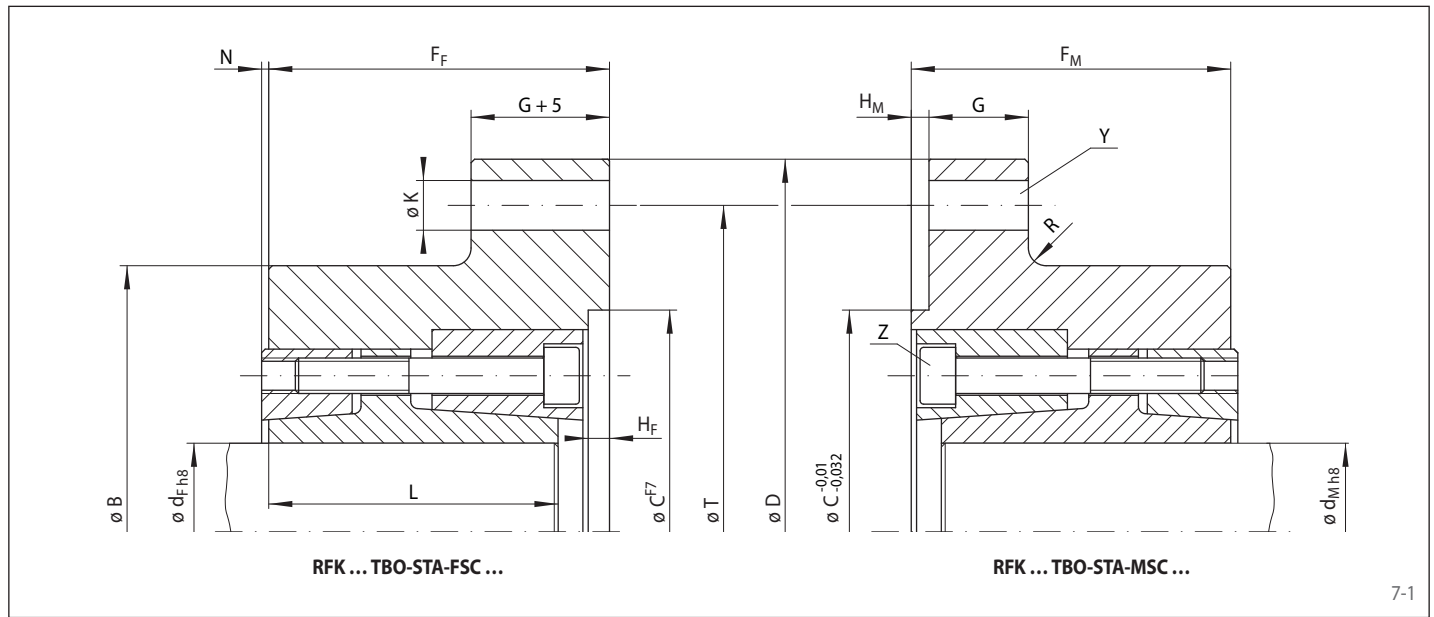
Order example	Code
Coupling design	RFK
Coupling size of smaller coupling half	0050
Type	TBO
Material of the hub: • Steel	STA
Hub A, type: • Flange with Female Pilot • Flange with Male Pilot	F M
Hub A, design: Frictional Shaft-Hub-Connection	SC
Bore diameter d_F or d_M	025
Hub B, type: • Flange with Female Pilot • Flange with Male Pilot	F M
Hub B, design: Frictional Shaft-Hub-Connection	SC
Bore diameter d_F or d_M	025

RFK 0050 TBO-STA-FSC025-MS025

Order information

The coupling halves and the fasteners set can also be ordered separately. The indication of the coupling half corresponds to the size of the smaller coupling half.

backlash free cone clamping connection



7-1

Tru-Line Flange-Coupling RFK Size	Shaft	Max. transmissible torque	B	C	D	FF	FM	G	HF	HM	K	L	N	R	T	Flange connection screws		Cone clamping screws		Weight FSC or MSC	
																Y*	Tightening torque	Z	Tightening torque		
FSC Female Pilot	MSC Male Pilot	dF or dM mm	TK max Nm	mm	mm	mm	mm	mm	mm	mm	mm	mm	mm	mm	mm	mm	Nm	Nm	kg		
0050	0050	min. 25 max. 50	2500 5250	120	100	190	70	65	10	5	3	11	60	5	10	160	8 x M 10 x 40	71	8 x M 8	42	7,5 6,8
0070	0070	min. 50 max. 70	6300 10000	170	150	260	88	81	15	5	3	15	75	5	15	230	8 x M 14 x 60	195	9 x M 10	83	32 30
0090	0090	min. 70 max. 90	16000 20000	200	180	320	103	96	25	7	5	18	90	6	15	280	8 x M 16 x 75	300	9 x M 12	144	39 37
0115	0115	min. 95 max. 115	28000 35500	230	300	400	115	105	30	10	6	25	100	8	40	350	8 x M 24 x 100	1020	7 x M 14	229	47 45
0140	0140	min. 115 max. 140	45000 56000	270	300	400	115	105	30	10	6	25	100	8	20	350	8 x M 24 x 100	1020	10 x M 14	229	55 51
0170	0170	min. 140 max. 170	90000 112000	330	300	560	145	135	36	12	8	32	128	10	30	480	18 x M 30 x 120	2030	11 x M 16	354	112 105
0210	0210	min. 170 max. 210	160000 200000	390	300	560	145	135	36	12	8	32	128	10	20	480	18 x M 30 x 120	2030	16 x M 16	354	137 125
0211	0211	min. 170 max. 210	160000 200000	430	350	630	145	135	40	12	8	32	128	10	20	550	18 x M 30 x 130	2030	16 x M 16	354	160 148
0250	0250	min. 210 max. 250	265000 315000	470	350	630	160	150	40	12	8	32	140	10	10	550	18 x M 30 x 130	2030	14 x M 20	692	199 183
0270	0270	min. 250 max. 270	375000 400000	510	550	710	179	169	40	12	8	32	158	10	30	630	24 x M 30 x 130	2030	16 x M 20	692	259 249
0290	0290	min. 270 max. 290	450000 490000	550	550	710	179	169	40	12	8	32	158	10	15	630	24 x M 30 x 130	2030	18 x M 20	692	286 275
0320	0320	min. 290 max. 320	520000 540000	580	550	750	200	190	40	12	8	32	180	10	15	680	28 x M 30 x 130	2030	20 x M 20	692	318 338
0350	0350	min. 320 max. 350	590000 625000	630	550	800	200	190	45	12	8	32	180	10	15	720	28 x M 30 x 150	2030	20 x M 20	692	401 380

Paired coupling halves of the same colour can be interchanged due to matching flange patterns. The maximum torques of the smaller coupling half apply.

* Number of connection screws Y in accordance DIN EN ISO 4014 property class 10.9 or 12.9 for RFK 0050 TBO on pitch circle T.

Mounting

The installation and operating instruction for Tru-Line Flange-Couplings RFK ... TBO is available on request.